

# E-VAP

## RAPID STEAM GENERATOR



### THE COMPLETE BOILER HOUSE SOLUTION E-VAP - STEAM OUTPUTS FROM 1700 KG/H TO 5700 KG/H

#### SIMPLE, RELIABLE OPERATION

The E-VAP Steam Generator is a horizontal, multi-pass Coil Steam Generator benefiting from Babcock Wanson's many years of experience in both design and manufacture of steam raising equipment. The horizontal configuration of E-VAP ensures easy access to all components for both operation and maintenance.

- Standard 12 barg working pressure – higher steam pressures up to 100 barg available on request.
- Integral combustion air preheater as standard plus option for flue gas/feedwater economiser for very high efficiency operation.
- Fully integrated controls with easy-to-use touch screen HMI ensures simple and reliable operation.
- Comprehensive factory testing enables easy site installation and quick and simple commissioning.
- Fully modulating burner and feed water pump control by variable speed drives improves pressure control and reduces electrical load



**SAFE & RELIABLE  
DESIGN**



**ENVIRONMENTALLY  
FRIENDLY**



**FLEXIBLE  
SOLUTION**



**FULL RANGE OF BOILER HOUSE  
ANCILLARY EQUIPMENT**

#### FLEXIBLE SOLUTION

- The EVAP horizontal once through Steam Generator has been designed to operate in a multitude of industries and with a wide range of operating pressures
- Extended unattended operation to suit local operating requirements.
- Most types of liquid or gaseous fuels can be used.
- Low water content means safe operation
- Reduced blowdown losses
- Flue Gas Recirculation ensures compliance with emissions regulations
- Operational data available from the E-VAP PLC to the site DCS

#### WHY SELECT AN E-VAP COIL STEAM GENERATOR?

##### Easy Operation

- Steam produced in 5-15 minutes from cold
- Simple water and chemical treatment requirements
- Reduced annual inspection requirements
- Low maintenance and long plant life
- Fully digital control panel including touchscreen operator interface
- Reduced floor space required compared with traditional firetube boilers
- Fully modulating electronic control saves energy and improves performance
- Auto Start and Stop plus option for full Sequence Control
- Specialist pump ensures low maintenance and simple operation

##### High Efficiency

- Small footprint for high output means low heat loss and fuel savings
- Lowest practicable electrical consumption
- High combustion and plant efficiency
- Low water content means fast steaming from cold and saves energy at every start up

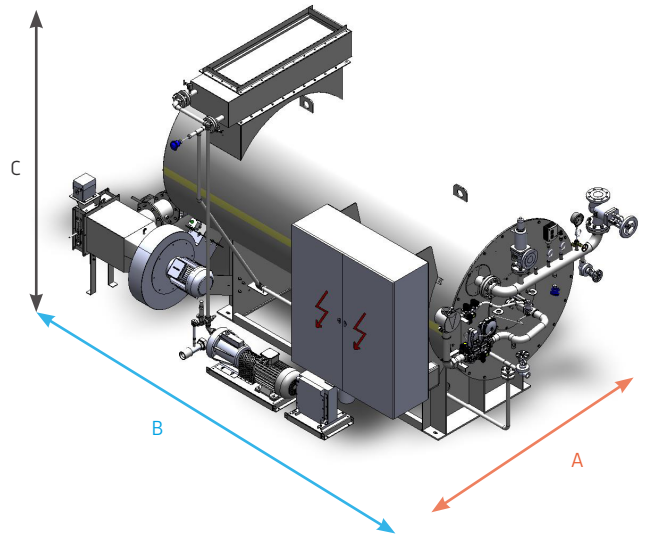
# E-VAP RAPID STEAM GENERATOR

## ENVIRONMENTALLY FRIENDLY

- Integral Babcock Wanson burner ensures efficient use of fuel, simple maintenance and low cost operation.
- High overall efficiency provides substantial environmental advantages and low overall emissions.

## FULL RANGE OF ANCILLARY EQUIPMENT AND SERVICES

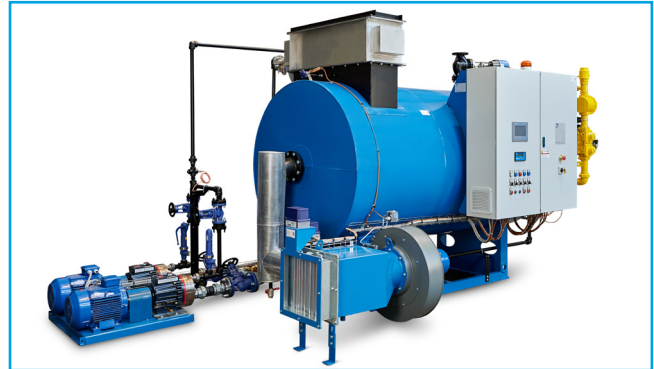
- Feedwater tanks and feed systems.
- Economisers for increased efficiency.
- Feed water conductivity monitoring and automated blowdown control.
- System ancillaries and heat exchangers.
- Full turnkey design and installation service.
- Babcock Wanson Water Treatment Solutions and support.
- Commissioning and after sales service.



E-VAP Rapid Steam Generator



E-VAP 1700 series



E-VAP options

E-VAP		1700	2700	3700	5700
Steam Output	kg/h	1700	2700	3700	5700
Power Output	kW	1186	1884	2581	3977
Width A	mm	1860	2090	2280	2770
Length B	mm	3540	4730	4780	5790
Height C (with economiser)	mm	2240	2440	2550	2880
Weight - full coil	kg	3000	4850	5300	10500

(1) All steam outputs are for steam at 10 barg and feedwater at 80°C.

(2) Dimensions are for standard 12 barg design pressure (higher pressures available on request).

**Babcock Wanson UK Limited** 7 Elstree Way, Borehamwood, Hertfordshire, WD6 1SA UK  
**Tel:** +44 (0) 20 8953 7111 | **Email:** info@babcock-wanson.co.uk [www.babcock-wanson.co.uk](http://www.babcock-wanson.co.uk)

Designers and manufacturers of Industrial Boilers, Air Heaters, Thermal Fluid Heaters, Thermal Oxidisers, Water Treatment Plant and associated equipment. Registered Number 573874 London.

Babcock Wanson's policy is one of continuous improvement and the right is reserved to change specifications and dimensions at any time without notice.

